

Lindy's Aircraft Caddy R/W

RIDER/WALKIE

Battery powered aircraft tug for one person to safely and easily walk behind and maneuver aircraft in/out of tight spaces in hangars or ride-on when staging on the ramp up to 15,000 lbs.



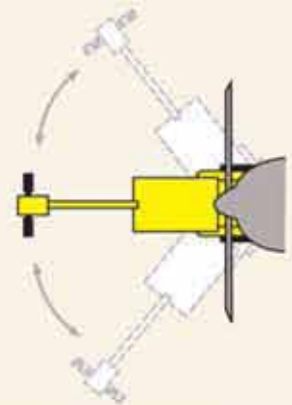
Moves aircraft up to 15,000 lbs



Operator can walk behind tug for maneuvering aircraft in tight spaces.



Operator can ride-on tug when staging aircraft on a ramp.



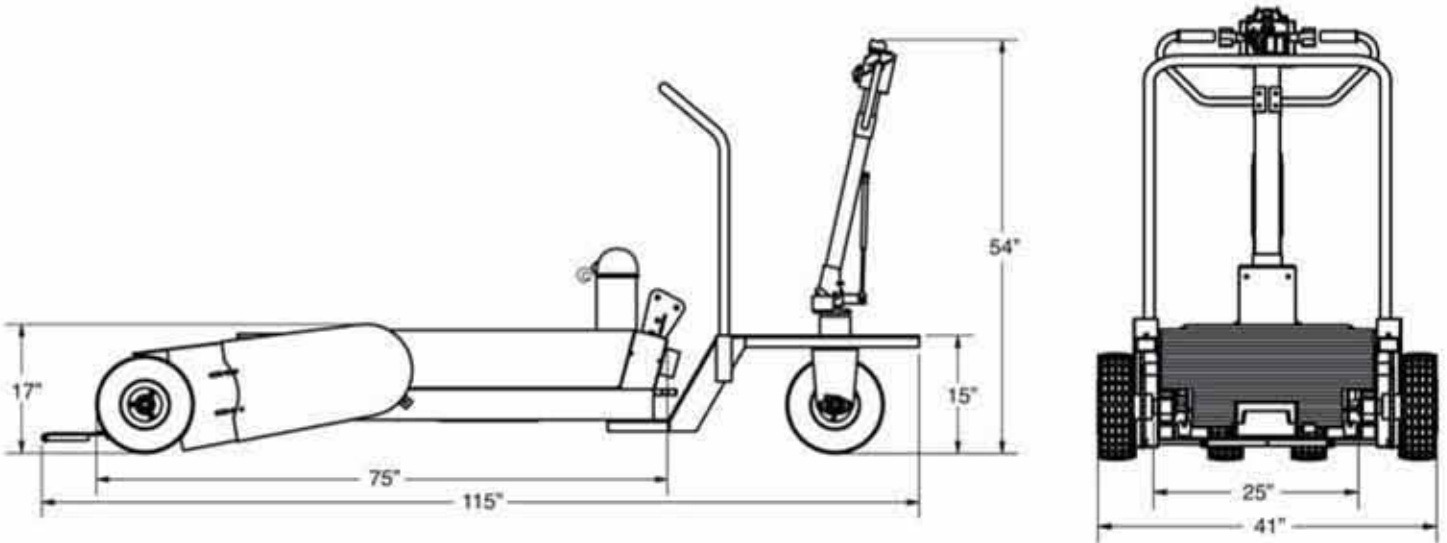
The cradle has a 5th wheel style turning that allows aircraft tug to turn full 180 degrees under aircraft wheel.

LINDBERGH
AIRCRAFT TUG CO.

albatrosgruphavacilik.com

Lindy's AircraftCaddy R/W

RIDER/WALKIE



AircraftCaddy R/W Standard Features

- Heavy Duty Steel Frame
- 3000 lb Differential / Transaxle
- 2:1 Gear Reduction with Chain to Drive Tires
- High Tech Speed Controller
- Neutral Throttle Braking
- Adjustable Acceleration/Braking
- 36v(3) 85 Amp Batteries
- Variable Speed Twist Grip
- 0-5 mph Forward/ Reverse
- Battery Discharge Indicator
- Onboard Charger
- Foam Filled Front Tires
- Control Handle Bars Disassemble for Shipping and Storage

AircraftCaddy R/W Options

AircraftCaddy R/W

Easy-on/off Wheel Cradle, for Non-Wheel Pants Planes
Includes: Release Lever and Cable, Lazy Susan Turning

Wheel Guide for Wheel Pants and Non-Wheel Pants Planes
*Includes: Guide, Spring Ramp, 3" Wheel Chock, Velcro Strap
 Lazy Susan Turning with spring pin stop*

Hand Crank with 7 ft Strap and Wheel Tether

Electric Winch with 7 ft Strap and Wheel Tether

DC Power Supply and 10' Cord
 (for starting airplane and running avionics)

- Single-Pin Plug

- Three-Pin Plug

Universal Nose Wheel Bracket

Custom Logo

Ball Hitch & Mounting Bracket for Moving Trailers