

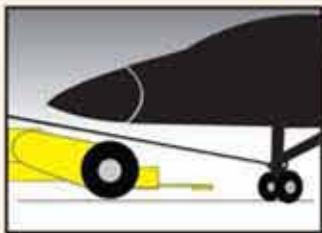
# Lindy's AircraftCaddyDNW

DUAL NOSE WHEEL

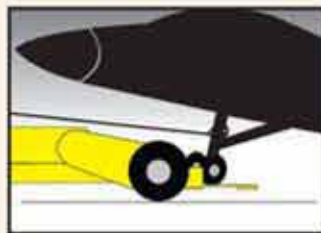
Battery powered aircraft tug for one person to safely and easily maneuver aircraft in/out of tight spaces in hangars or in staging on the ramp up to 35,000 lbs.



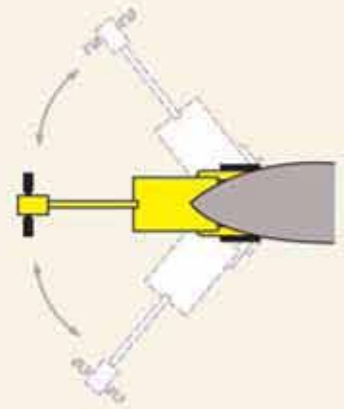
Moves aircraft up to 35,000 lbs with dual nose wheels



AircraftCaddy includes winch that pulls aircraft up spring ramp.



Dual nose wheel of aircraft fits securely into wheel choke on AircraftCaddy.



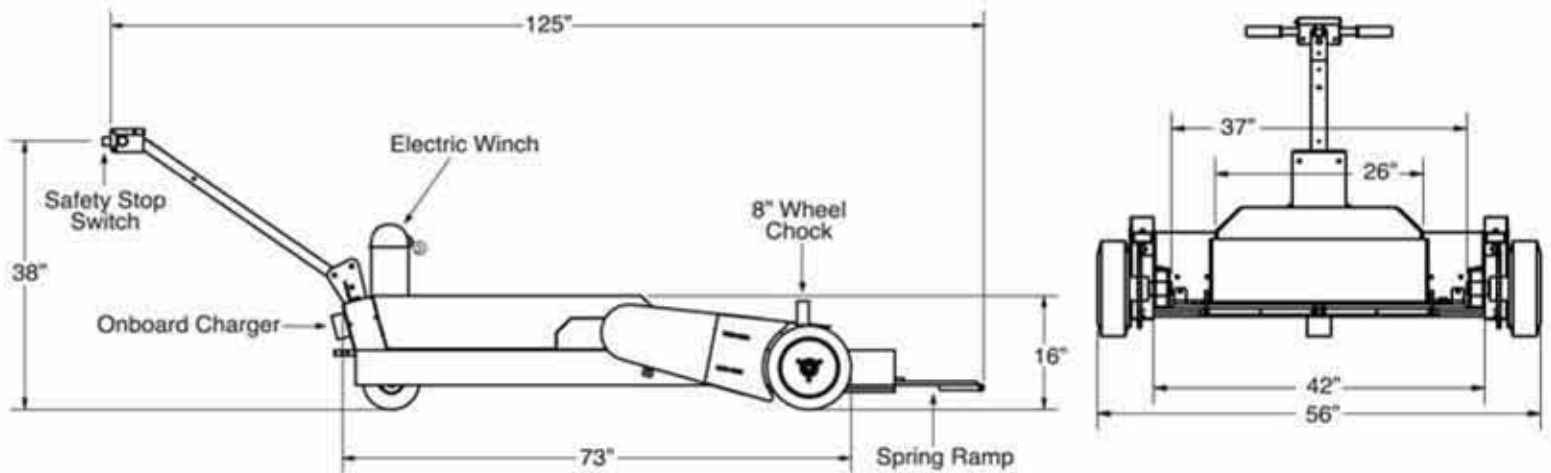
Includes 5th wheel style turning that allows AircraftCaddy to turn full 180 degrees under dual nose wheel.

LINDBERGH  
AIRCRAFT TUG CO.

[albatrosgruphavacilik.com](http://albatrosgruphavacilik.com)

# Lindy's AircraftCaddyDNW

DUAL NOSE WHEEL



## AircraftCaddy DNW Standard Features

- Heavy Duty Steel Structural Frame
- 2:1 Gear Reduction with Chain to Drive Tires
- High Tech Speed Controller
- Neutral Throttle Braking
- Adjustable Acceleration/Braking
- 36v(3) 105 Amp Batteries
- Variable Speed Twist Grip
- 0-2 mph Forward/ Reverse
- Battery Discharge Indicator
- Onboard Charger
- Solid Hard Rubber Tires
- Safety Stop Switch
- Control Handle Bars Disassemble for Shipping and Storage

## AircraftCaddy DNW Options

### AircraftCaddy DNW

#### Wheel Guide for Dual Nose Wheel Aircraft

*Includes: Guide, Spring Ramp, 8" Wheel Chock, Lazy Susan Turning with Spring Pin Stop*

#### Electric Winch with Steel Cable and Wheel Tether