

Lindy's Aircraft Caddy 4K jr

Battery powered aircraft tug for one person to safely and easily maneuver aircraft in/out of tight spaces in hangars or in staging on the ramp up to 4,000 lbs.



Moves airplanes up to 4,000 lbs
with or without wheel pants



Aircraft tug comes with screw handles for easily grabbing tow points on aircraft.



Once tug is attached to aircraft, operator slowly maneuvers plane in and out of hangar.

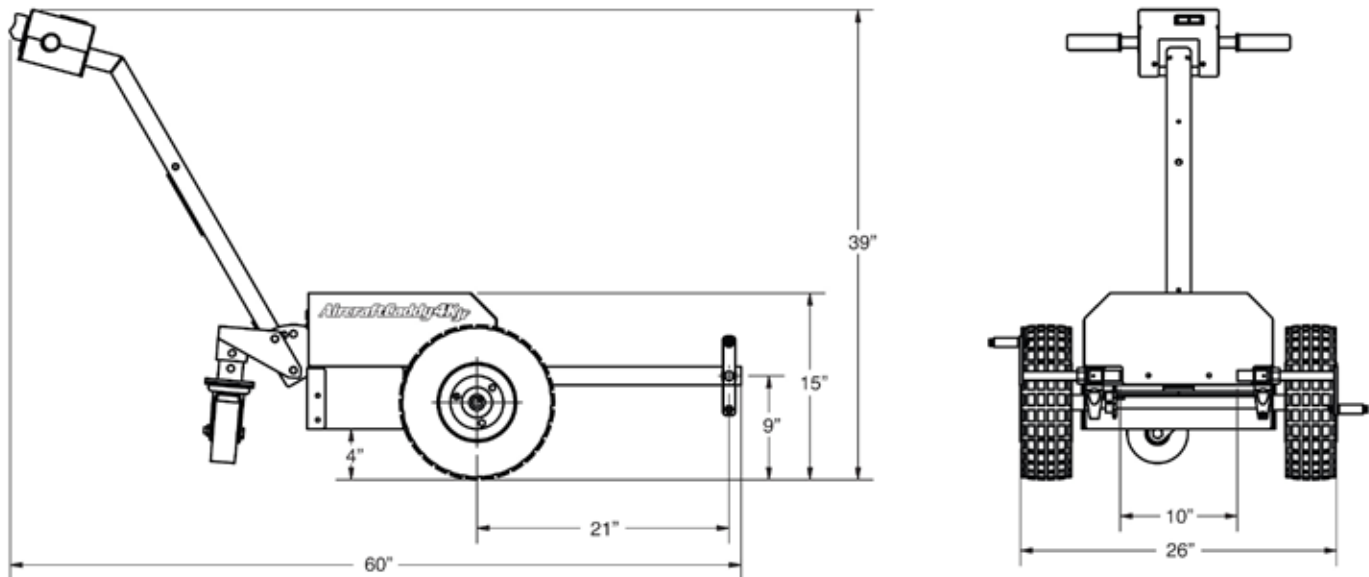


Tug works great for pulling aircraft in and out of hangar in snow and sleet.

LINDBERGH
AIRCRAFT TUG Co.

albatrosgruphavacilik.com

Lindy's AircraftCaddy4Kjr



AircraftCaddy Standard Features

- Heavy Duty Steel Frame
- 2:1 Gear Reduction with Chain to Drive Tires
- High Tech Speed Controller
- Neutral Throttle Braking
- Adjustable Acceleration/Braking
- 24v(2) Batteries
- Variable Speed Twist Grip
- 0-2 mph Forward/ Reverse
- Battery Discharge Indicator
- Battery Charger
- Foam Filled Non-Marking Tires
- Control Handle Bars Disassemble for Shipping and Storage

AircraftCaddy Options

AircraftCaddy 4K Jr(24v)

12" Foam Filled Snow Tires (set of two)

Snow Chains for Icy Conditions (set of two)

Custom Logo

These options are only recommendations. Please consult a Sales Engineer at Lindbergh Aircraft Tug Company for your specific application. Other options are available.