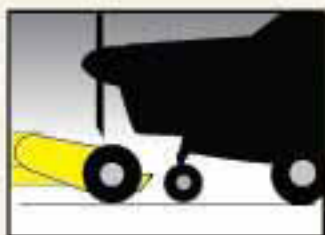


Lindy's Aircraft Caddy

Battery powered aircraft tug for one person to safely and easily maneuver aircraft in/out of tight spaces in hangers or in staging on the ramp up to 35,000 lbs.



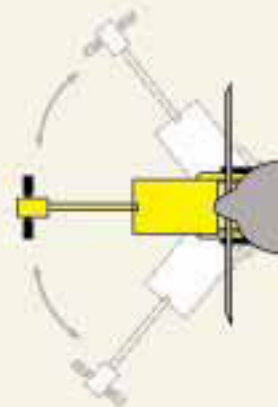
Moves airplanes up to 35,000 lbs
with or without wheel pants



Aircraft tug comes with easy-on wheel cradle or winch that slides effortlessly under front tire of aircraft.



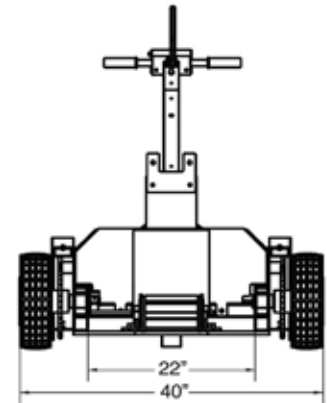
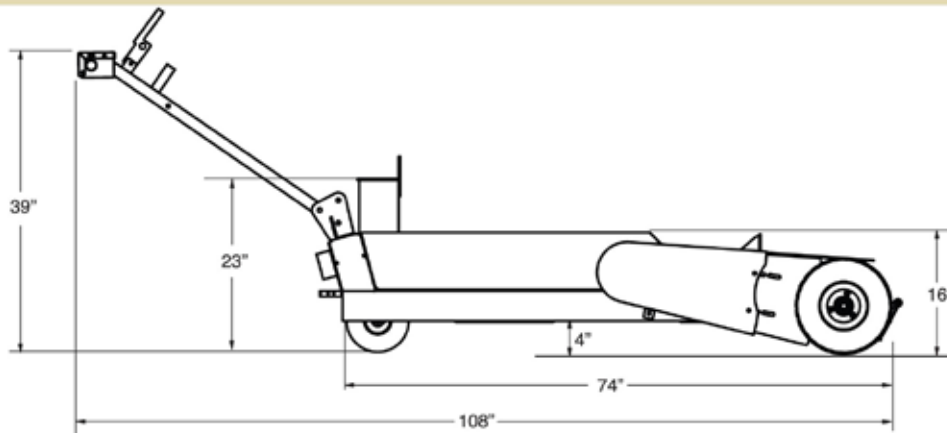
Transfers weight from nose wheel to drive tires of tug for better traction over humps, inclines, and slippery conditions.



The cradle has a 5th wheel style turning that allows aircraft tug to turn full 180 degrees under aircraft wheel.

LINDBERGH
AIRCRAFT TUG CO.

Lindy's AircraftCaddy



AircraftCaddy Standard Features

- Heavy Duty Steel Frame
- 2000 lb / 3000 lb Differential / Transaxle
- 2:1 Gear Reduction with Chain to Drive Tires
- High Tech Speed Controller
- Neutral Throttle Braking
- Adjustable Acceleration/Braking
- 36v(3) 85 Amp Batteries
- Variable Speed Twist Grip
- 0-2 mph Forward/ Reverse
- Battery Discharge Indicator
- Onboard Charger
- Foam Filled Non Marking Tires(15K) / Solid (35K) Front Tires
- Control Handle Bars Disassemble for Shipping and Storage

AircraftCaddy Options

AircraftCaddy
15K(36v) / 35K(36v)

Wheel Guide for Wheel Pants and Non-Wheel Pants Planes
Includes: Guide, Spring Ramp, 5" Wheel Chock, Lazy Susan Turning with spring pin stop

Hand Crank with 7 ft Strap and Wheel Tether

Electric Winch with 7 ft Strap and Wheel Tether

Upgrade to 16" Foam Filled Aggressive Tread Tires

DC Power Supply and 10' Cord
(for starting airplane and running avionics)

- Single-Pin Plug

- Three-Pin Plug

Wheel Axle Tow Bar and Catch

Strut Axle Tow Bar and Catch

Custom Logo

Ball Hitch & Mounting Bracket for Moving Trailers

These options are only recommendations. Please consult a Sales Engineer at Lindbergh Aircraft Tug Company for your specific application. Other options are available.



SAMPLES OF OUR CUSTOM LOGOS - View website for more samples

LINDBERGH
AIRCRAFT TUG Co.

albatrosgruphvacilik.com